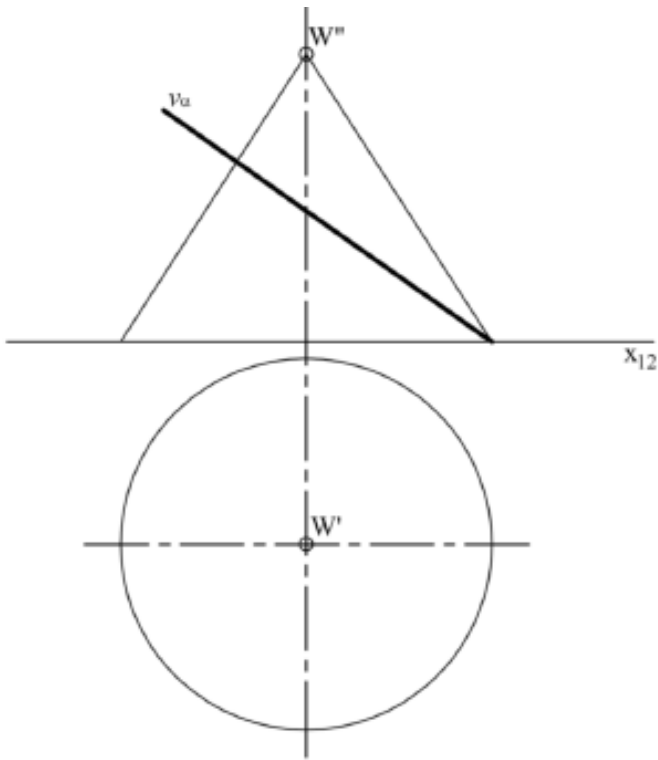


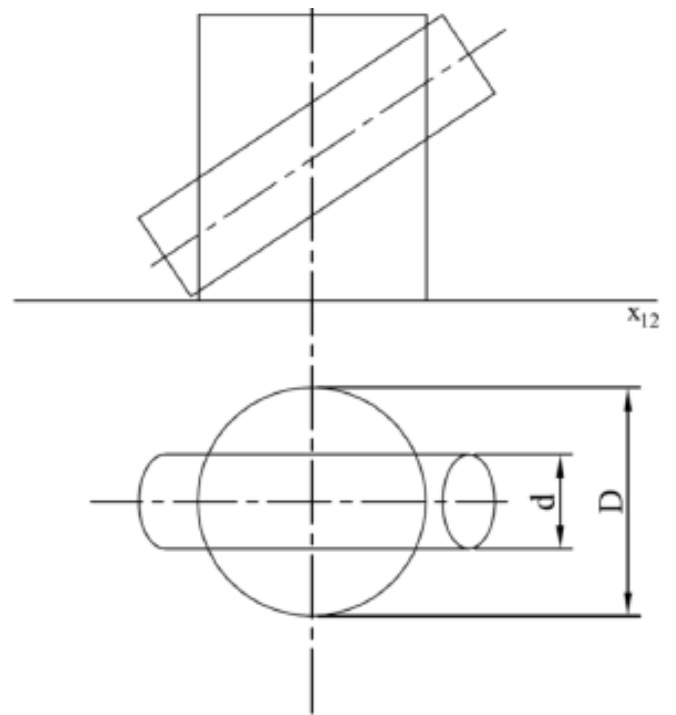
1) 4/1

Construct cross-section the cone with a projecting plane



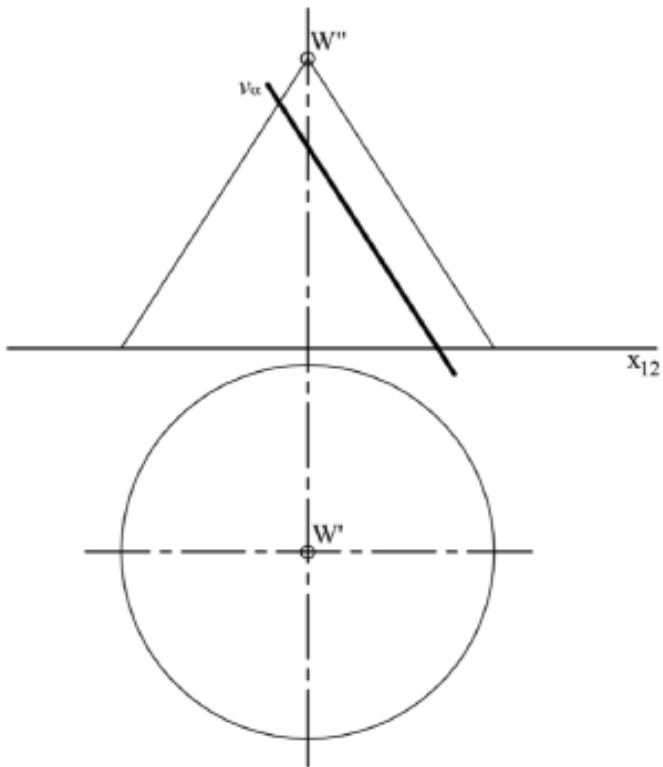
4/2

Determine the lines of intersection of two cylinders with intersecting axes ($D=2d$)



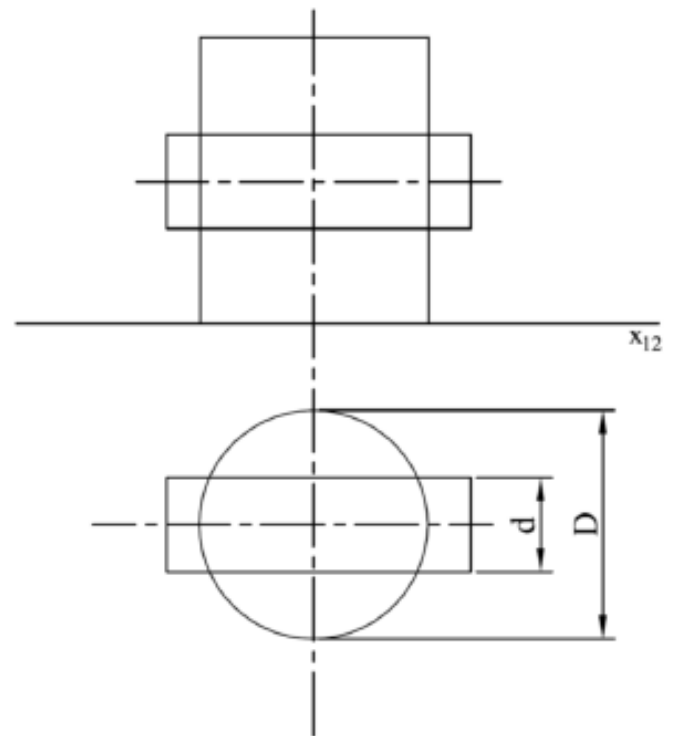
2) 4/1

Construct cross-section the cone with a projecting plane



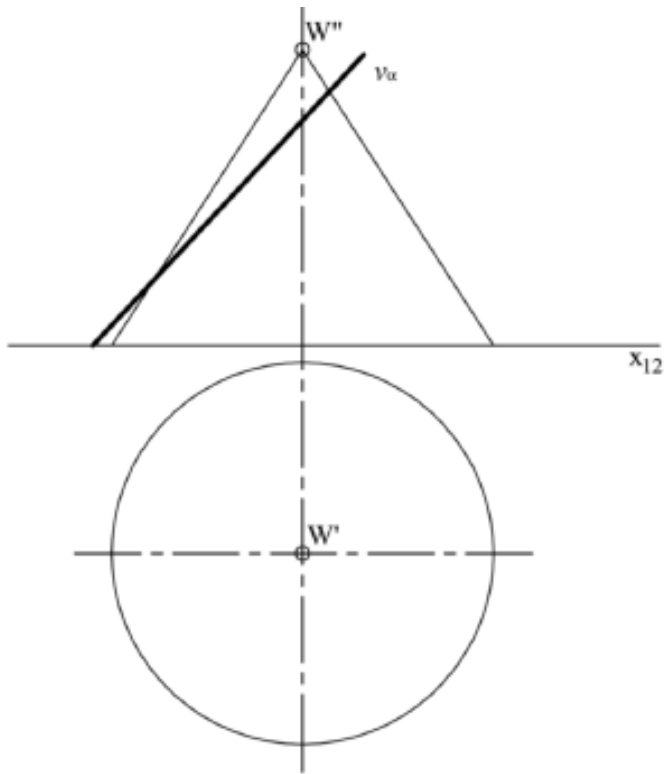
4/2

Determine the lines of intersection of two cylinders with intersecting axes ($D=2d$)



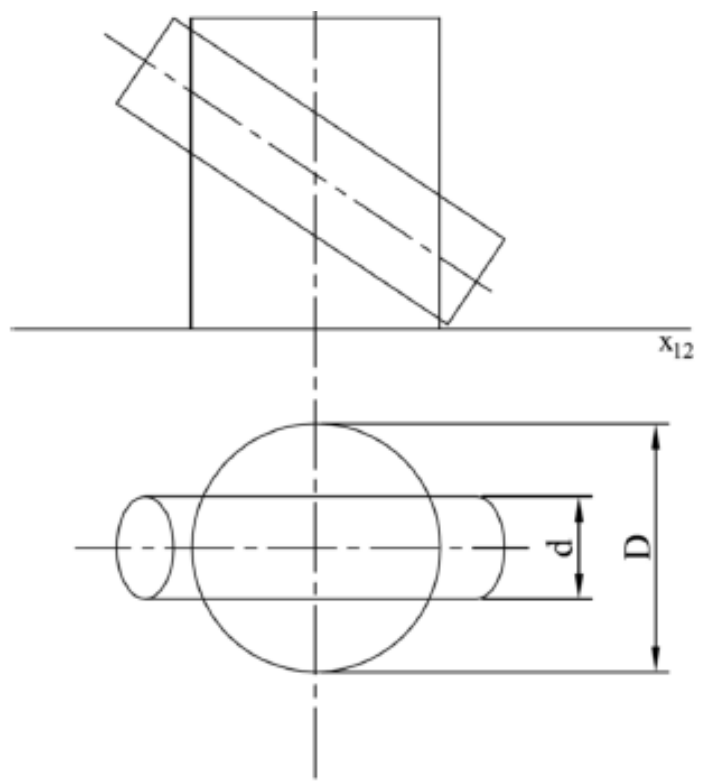
3) 4/1

Construct cross-section the cone with a projecting plane



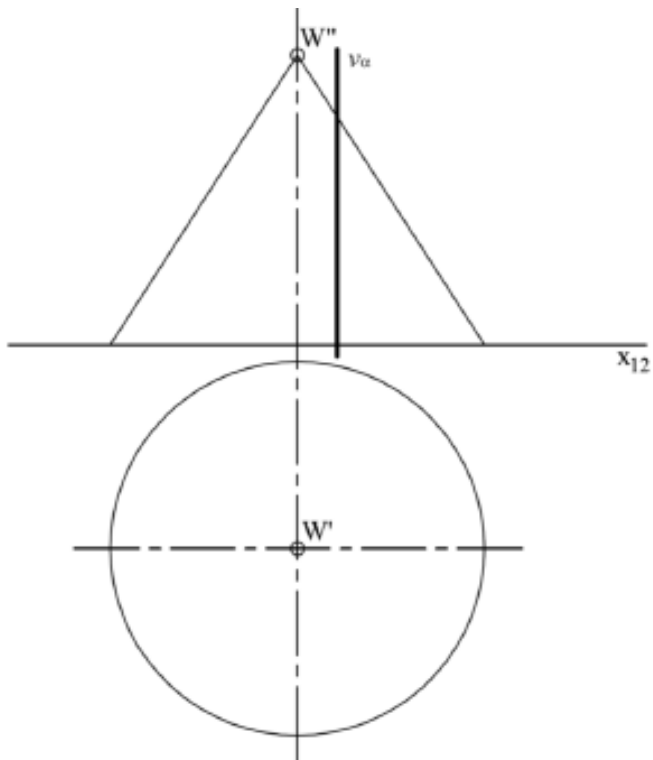
4/2

Determine the lines of intersection of two cylinders with intersecting axes ($D=2d$)



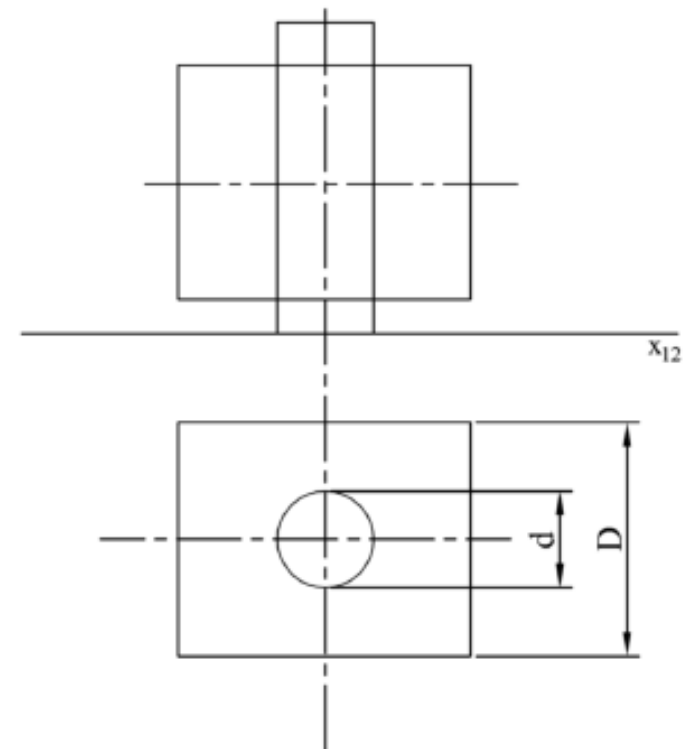
4) 4/1

Construct cross-section the cone with a projecting plane



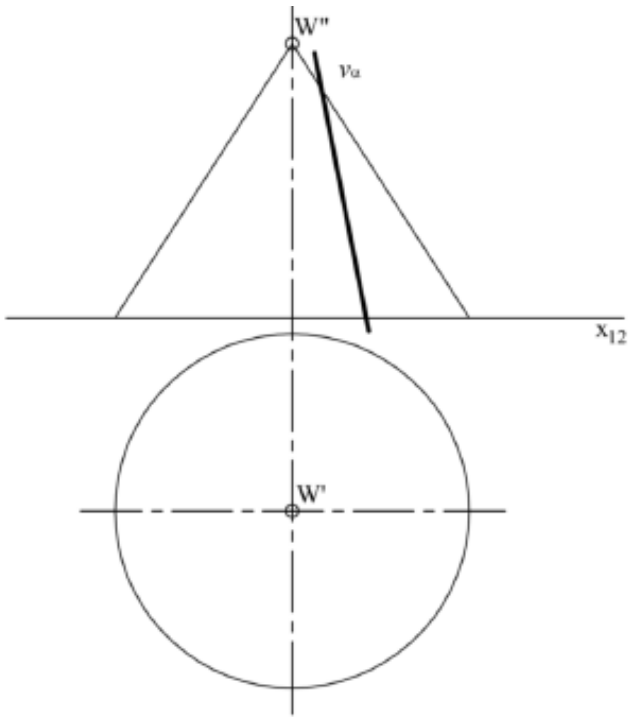
4/2

Determine the lines of intersection of two cylinders with intersecting axes ($D=2d$)



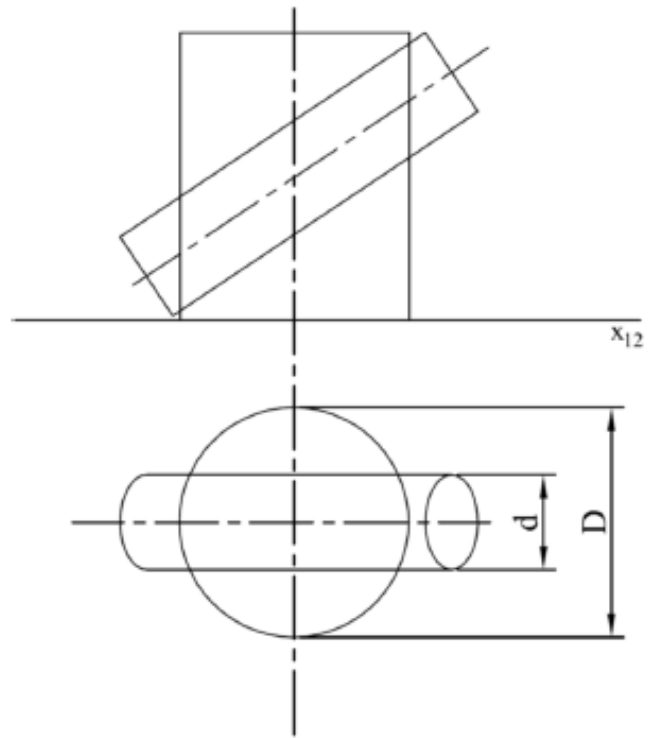
5) 4/1

Construct cross-section the cone with a projecting plane



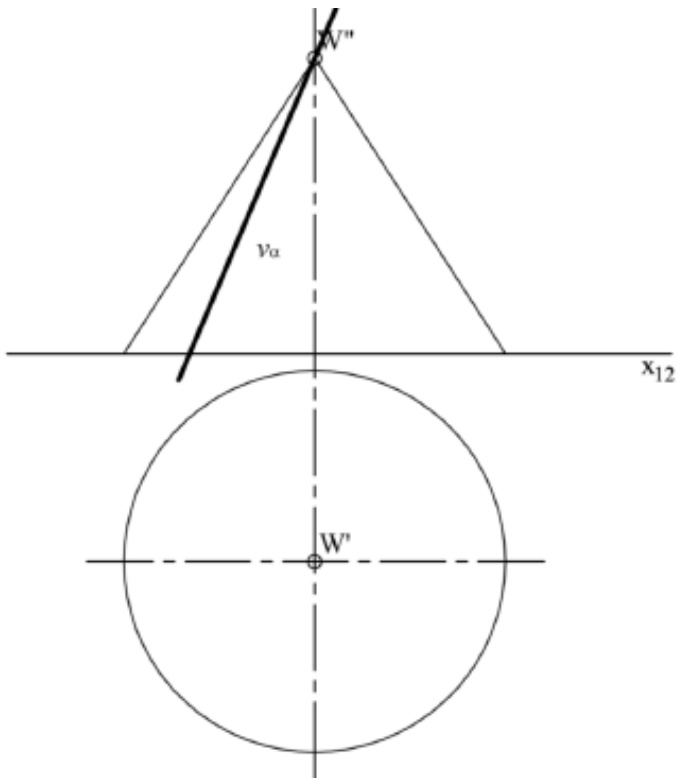
4/2

Determine the lines of intersection of two cylinders with intersecting axes ($D=2d$)



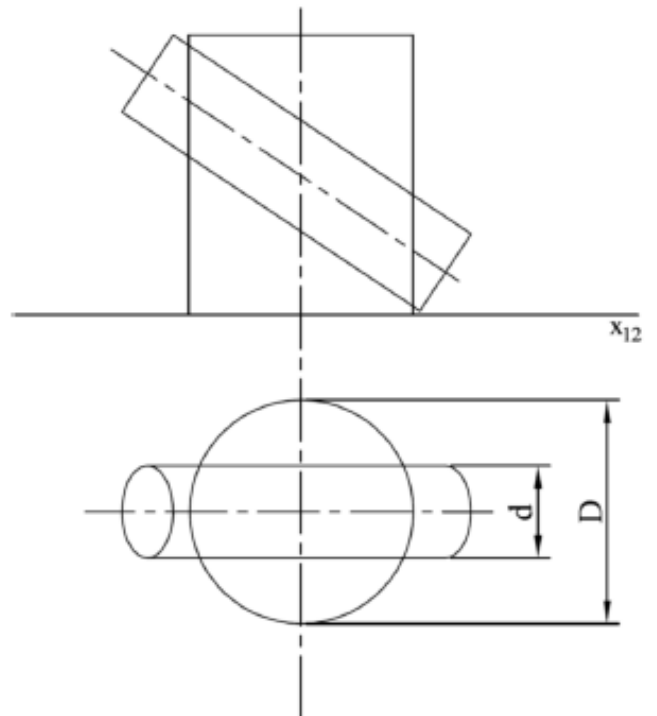
6) 4/1

Construct cross-section the cone with a projecting plane



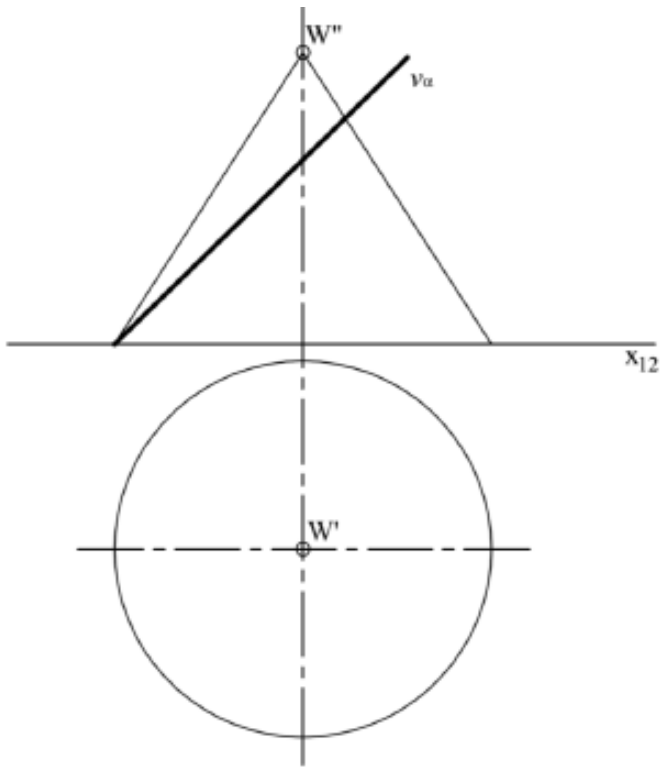
4/2

Determine the lines of intersection of two cylinders with intersecting axes ($D=2d$)



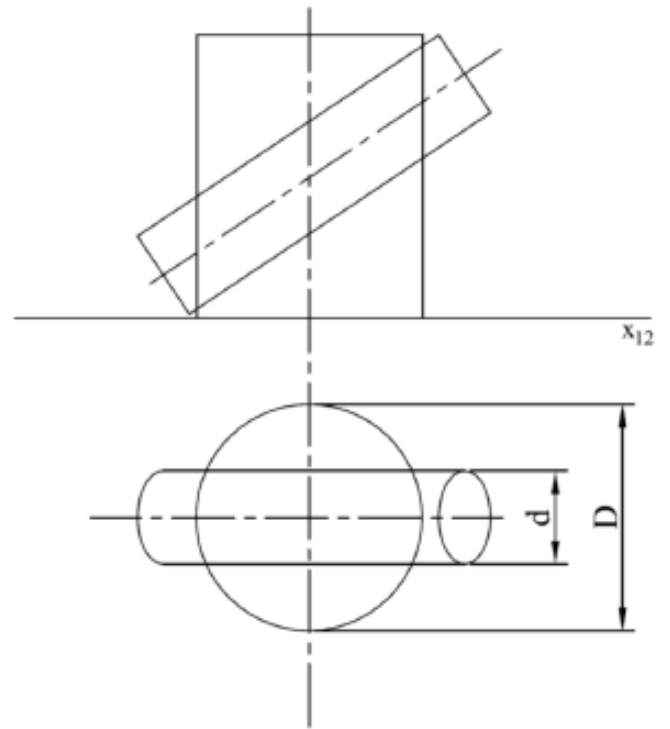
7) 4/1

Construct cross-section the cone with a projecting plane



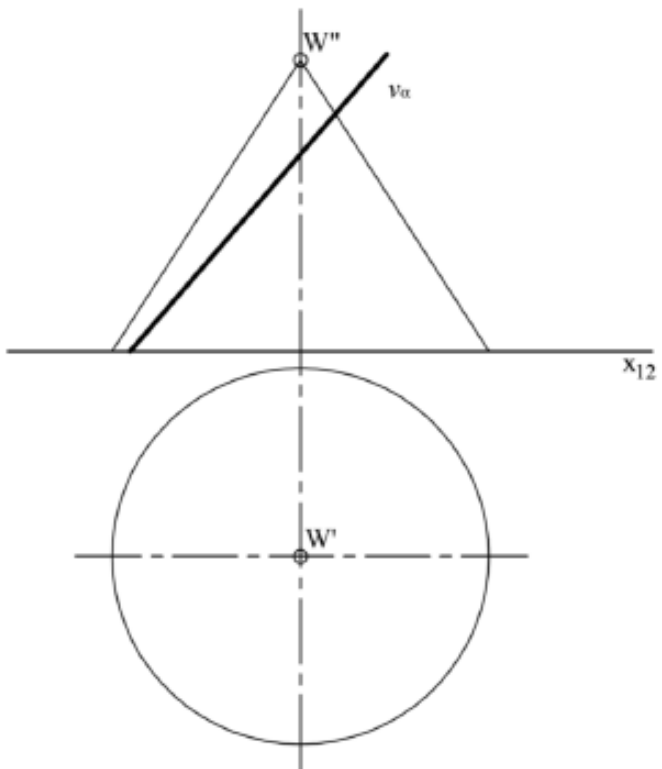
4/2

Determine the lines of intersection of two cylinders with intersecting axes ($D=2d$)



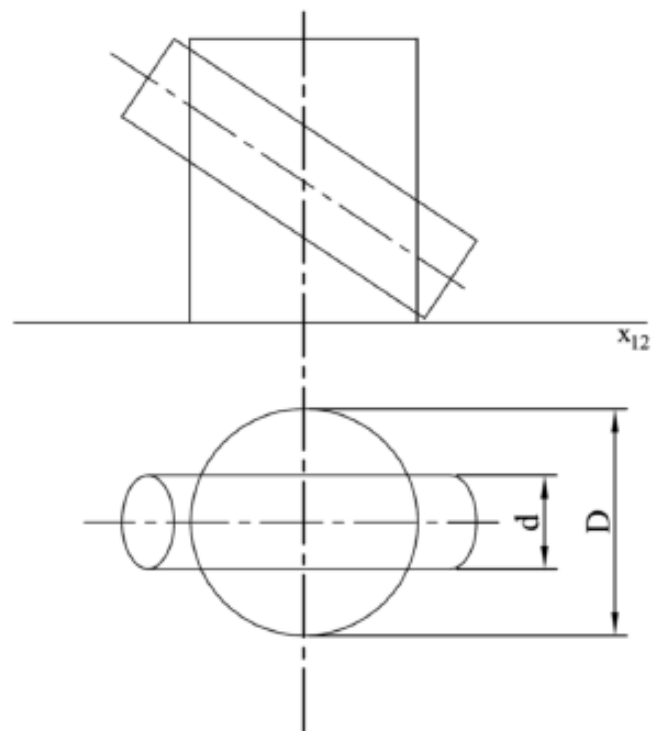
8) 4/1

Construct cross-section the cone with a projecting plane



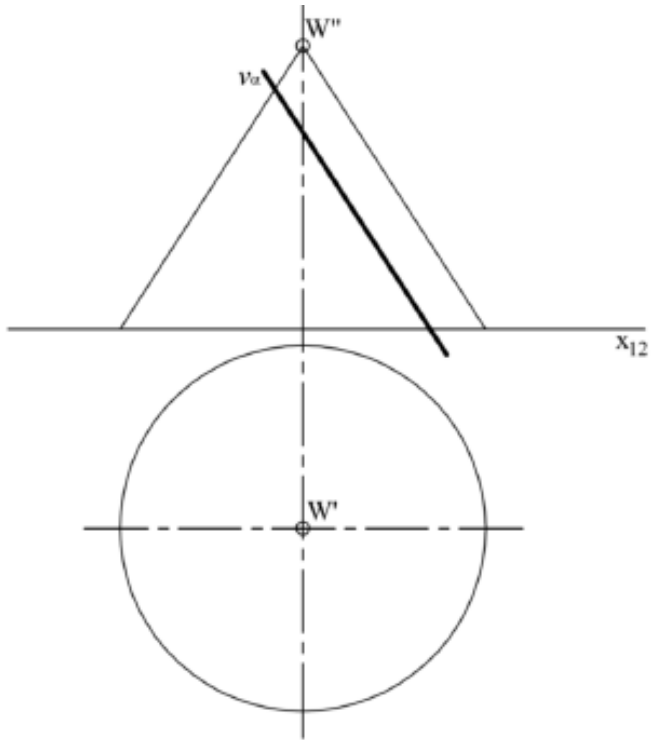
4/2

Determine the lines of intersection of two cylinders with intersecting axes ($D=2d$)



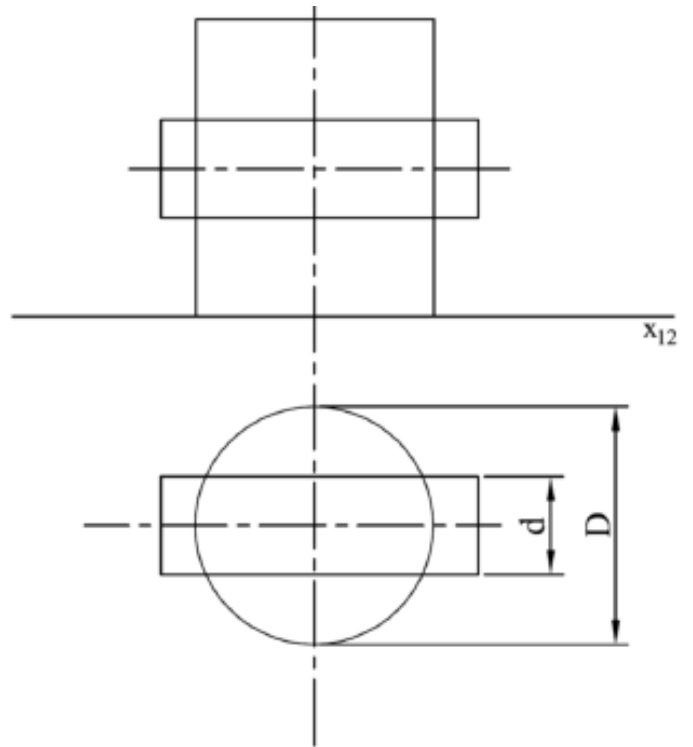
9) 4/1

Construct cross-section the cone with a projecting plane



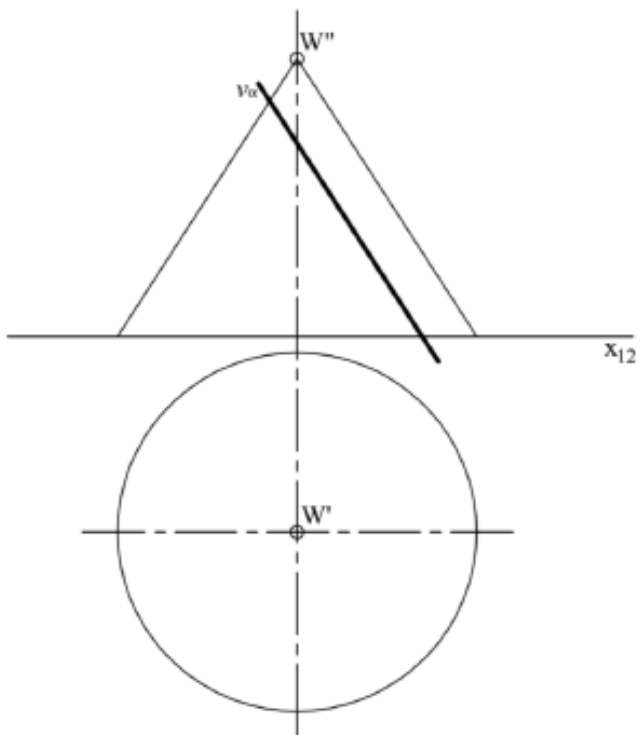
4/2

Determine the lines of intersection of two cylinders with intersecting axes ($D=2d$)



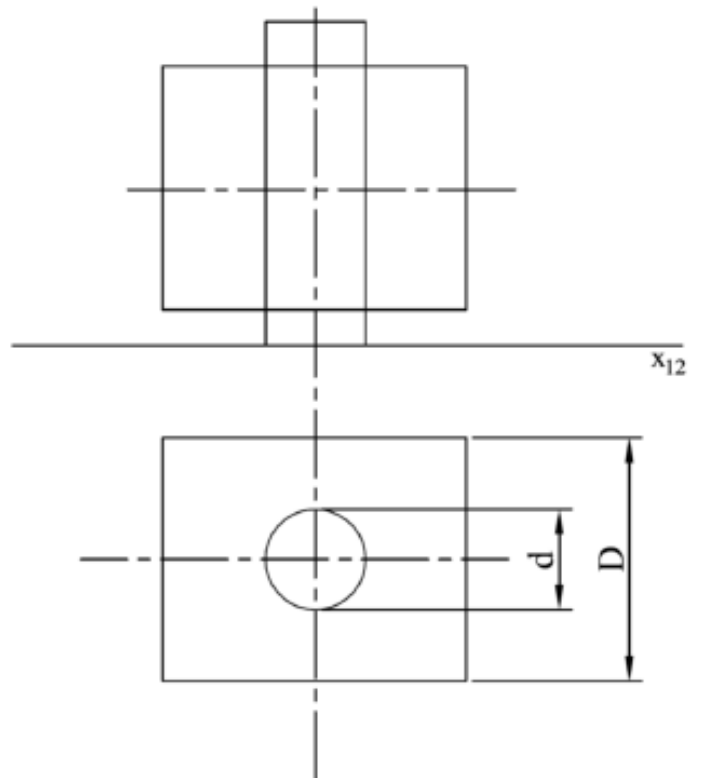
10) 4/1

Construct cross-section the cone with a projecting plane



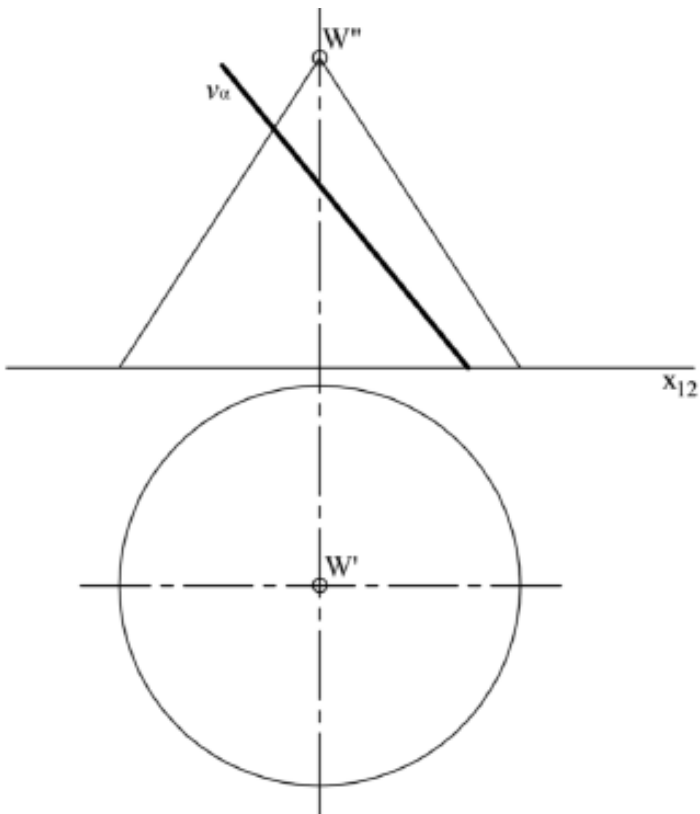
4/2

Determine the lines of intersection of two cylinders with intersecting axes ($D=2d$)

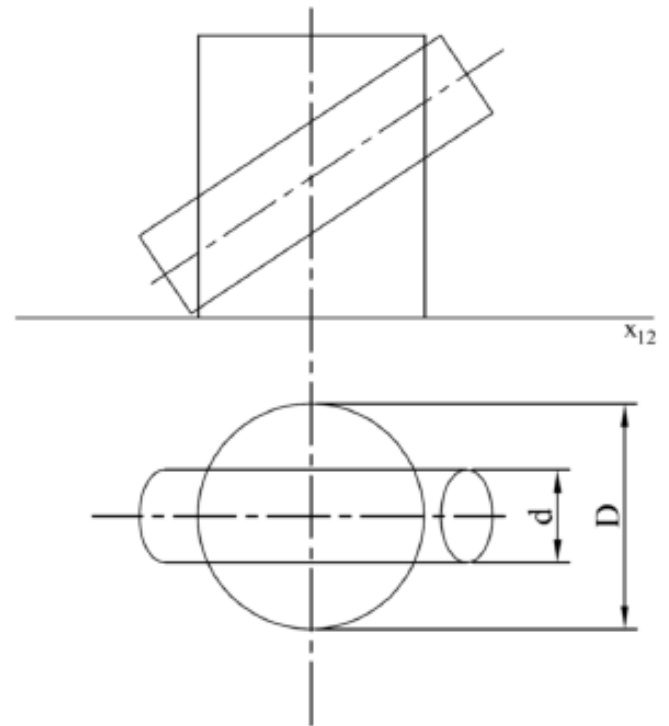


11) 4/1

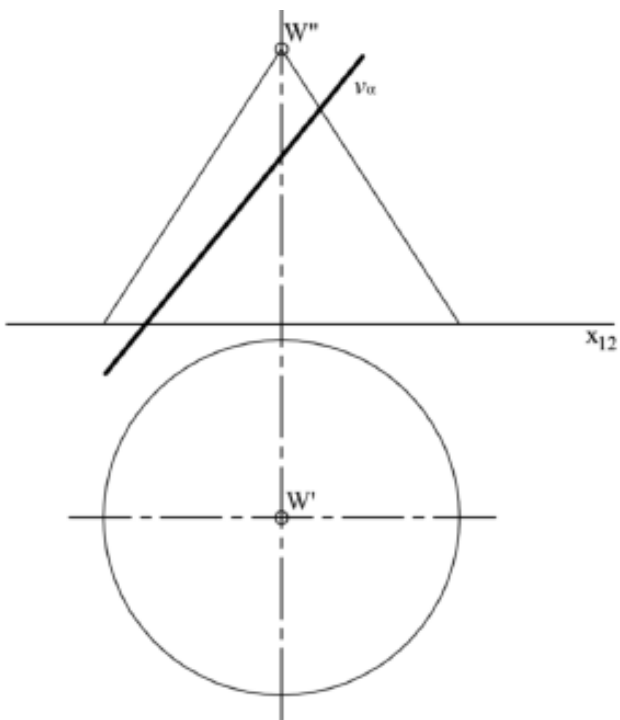
Construct cross-section the cone with a projecting plane

**4/2**

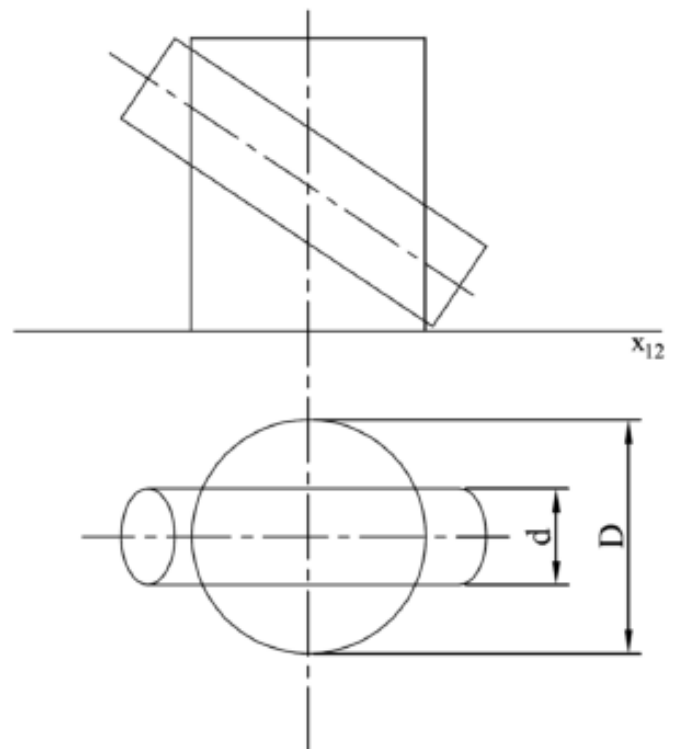
Determine the lines of intersection of two cylinders with intersecting axes ($D=2d$)

**12) 4/1**

Construct cross-section the cone with a projecting plane

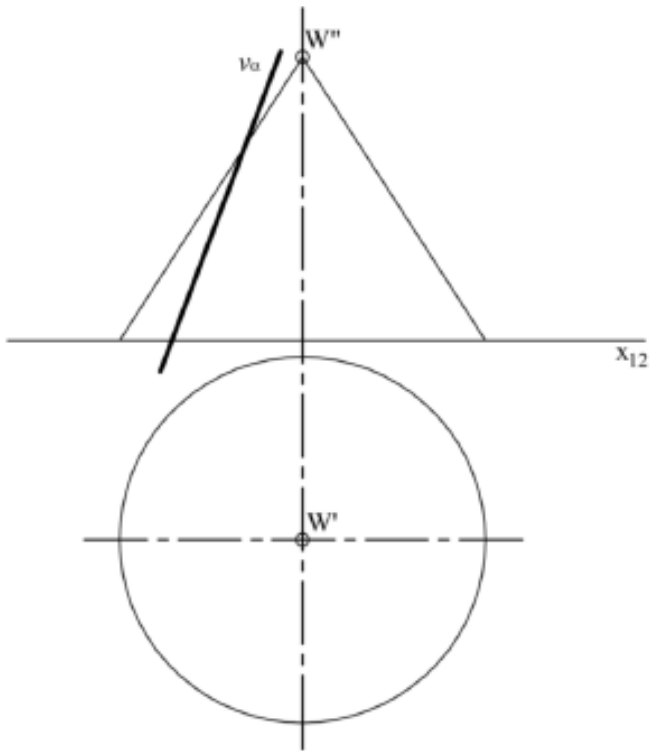
**4/2**

Determine the lines of intersection of two cylinders with intersecting axes ($D=2d$)

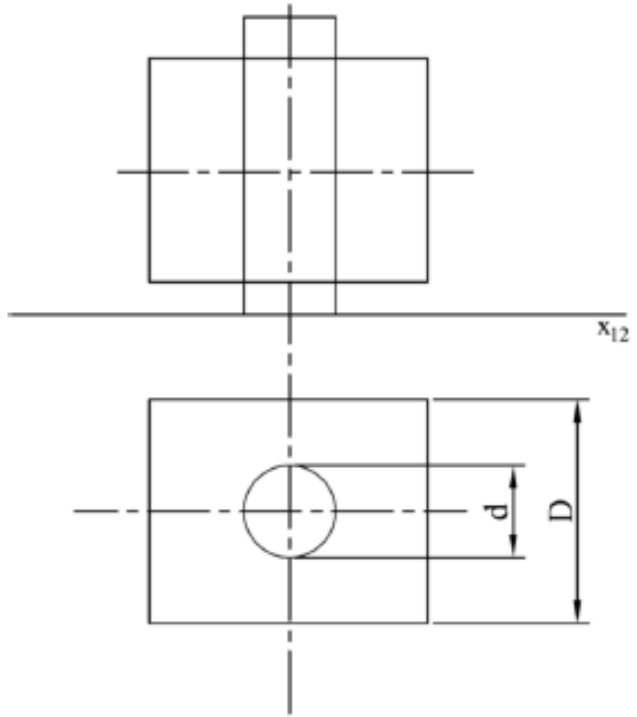


13) 4/1

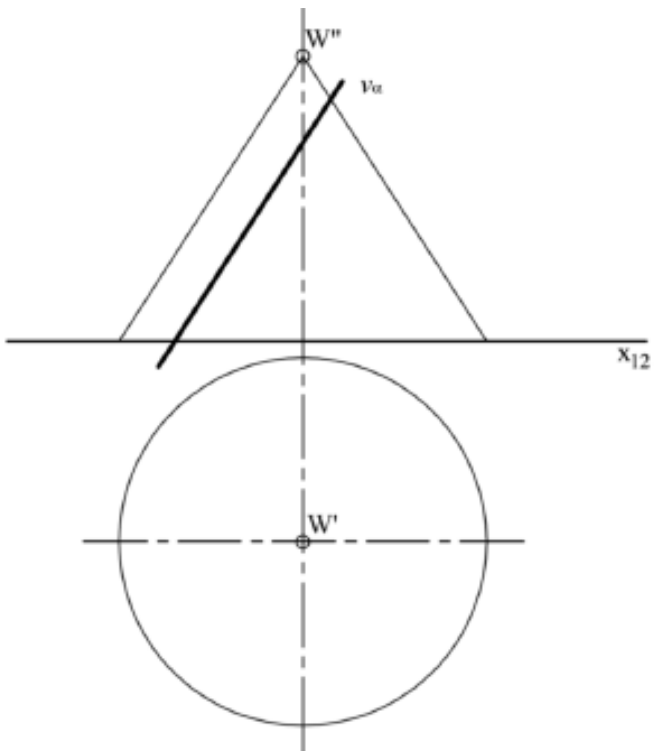
Construct cross-section the cone with a projecting plane

**4/2**

Determine the lines of intersection of two cylinders with intersecting axes ($D=2d$)

**14) 4/1**

Construct cross-section the cone with a projecting plane

**4/2**

Determine the lines of intersection of two cylinders with intersecting axes ($D=2d$)

