



# Politechnika Wroclawska

## Fundamentals of engineering drawing, p.8

Dr inż. Stanisław Frąckowiak



# Podział rysunków technicznych

- assembly drawing *rysunek złożeniowy* - shows the mutual position, shape and cooperation of individual subassemblies of the assembled parts; individual parts or assemblies are marked with numbers and described in the parts list plate; dimensions and connection dimensions are also given,
- assembly drawing *rysunek zestawieniowy* - assembly drawing of the product with marked information and dimensions necessary to make individual details included in the presented product.
- execution drawing - detail drawing containing all the information necessary for its execution,
- assembly drawing *rysunek montażowy* - a drawing showing individual activities and information related to the assembly of the device,
- installation drawing - a drawing showing the arrangement of individual elements of the installation and how they are connected,
- operating drawing - drawing of a detail with the data necessary to perform one technological operation.



# Title box with the parts list

(Please pay special attention to line thickness on parts list plates)

| Nr pozycji | Nazwa | Ilość | Oznaczenie | Materiał | Uwagi |
|------------|-------|-------|------------|----------|-------|
|            |       |       |            |          |       |
|            |       |       |            |          |       |
|            |       |       |            |          |       |
|            |       |       |            |          |       |
|            |       |       |            |          |       |
|            |       |       |            |          |       |
|            |       |       |            |          |       |
|            |       |       |            |          |       |
|            |       |       |            |          |       |

| Nr pozycji | Nazwa | Ilość | Oznaczenie | Materiał | Uwagi |
|------------|-------|-------|------------|----------|-------|
|            |       |       |            |          |       |
|            |       |       |            |          |       |
|            |       |       |            |          |       |
|            |       |       |            |          |       |
|            |       |       |            |          |       |
|            |       |       |            |          |       |
|            |       |       |            |          |       |
|            |       |       |            |          |       |
|            |       |       |            |          |       |

Rys. 2.27. Rozmieszczenie kolumn z informacjami w wykazie części

a)

|  |  |  |  |  |  |  |  |  |  |  |  |  |  |
|--|--|--|--|--|--|--|--|--|--|--|--|--|--|
|  |  |  |  |  |  |  |  |  |  |  |  |  |  |
|  |  |  |  |  |  |  |  |  |  |  |  |  |  |
|  |  |  |  |  |  |  |  |  |  |  |  |  |  |
|  |  |  |  |  |  |  |  |  |  |  |  |  |  |
|  |  |  |  |  |  |  |  |  |  |  |  |  |  |
|  |  |  |  |  |  |  |  |  |  |  |  |  |  |
|  |  |  |  |  |  |  |  |  |  |  |  |  |  |
|  |  |  |  |  |  |  |  |  |  |  |  |  |  |
|  |  |  |  |  |  |  |  |  |  |  |  |  |  |
|  |  |  |  |  |  |  |  |  |  |  |  |  |  |
|  |  |  |  |  |  |  |  |  |  |  |  |  |  |

b)

|  |  |  |  |  |  |  |  |  |  |  |  |  |  |
|--|--|--|--|--|--|--|--|--|--|--|--|--|--|
|  |  |  |  |  |  |  |  |  |  |  |  |  |  |
|  |  |  |  |  |  |  |  |  |  |  |  |  |  |
|  |  |  |  |  |  |  |  |  |  |  |  |  |  |
|  |  |  |  |  |  |  |  |  |  |  |  |  |  |
|  |  |  |  |  |  |  |  |  |  |  |  |  |  |
|  |  |  |  |  |  |  |  |  |  |  |  |  |  |
|  |  |  |  |  |  |  |  |  |  |  |  |  |  |
|  |  |  |  |  |  |  |  |  |  |  |  |  |  |
|  |  |  |  |  |  |  |  |  |  |  |  |  |  |
|  |  |  |  |  |  |  |  |  |  |  |  |  |  |

Rys. 2.28. Przykłady tabliczek rysunkowych podstawowych: a) tabliczka do rysunku złożeniowego, z wykazem części, b) tabliczka do rysunku części

| Nr pozycji | Nazwa | Ilość | Oznaczenie | Materiał | Uwagi |
|------------|-------|-------|------------|----------|-------|
|            |       |       |            |          |       |
|            |       |       |            |          |       |
|            |       |       |            |          |       |
|            |       |       |            |          |       |
|            |       |       |            |          |       |
|            |       |       |            |          |       |
|            |       |       |            |          |       |
|            |       |       |            |          |       |
|            |       |       |            |          |       |
|            |       |       |            |          |       |

|    |   |                 |      |        |   |
|----|---|-----------------|------|--------|---|
| 50 | Podziałka   | Imię i Nazwisko | Data | Podpis | Politechnika Wroclawska<br>Wydział<br>Inżynierii Środowiska |
|    | 1:1   |                 |      |        |   |
|    | Kreślił Jan KOWALSKI 11.12.99<br>Sprawdzał Jan MATEJKO 15.12.99 |                 |      |        |   |
| 25 | Nazwa rysunku   |                 |      |        | Nr rysunku  |
|    | Nazwa pracy rysunkowej  |                 |      |        | 1/1   |

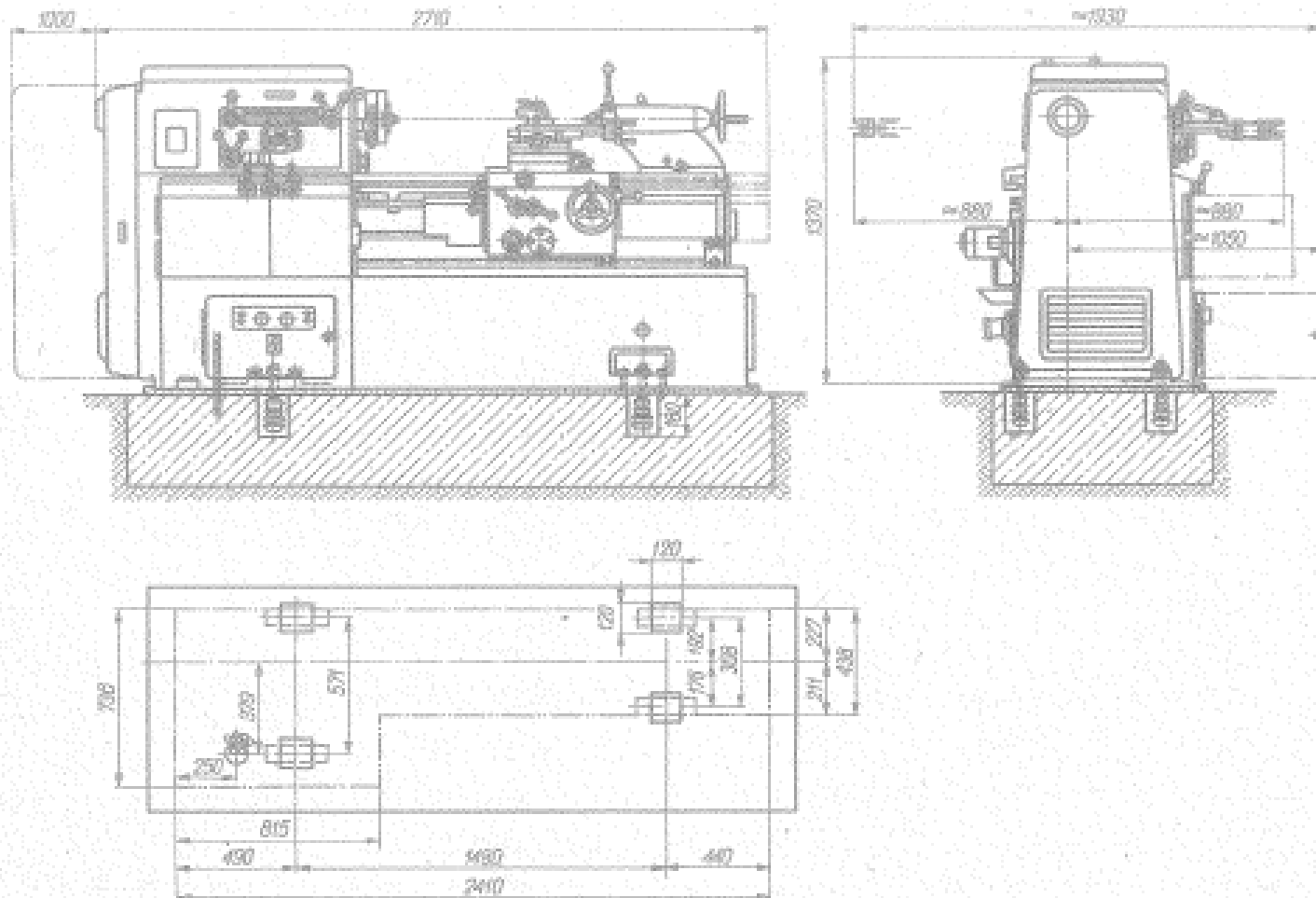


# Dimensioning on assembly drawings *złożeniowych*

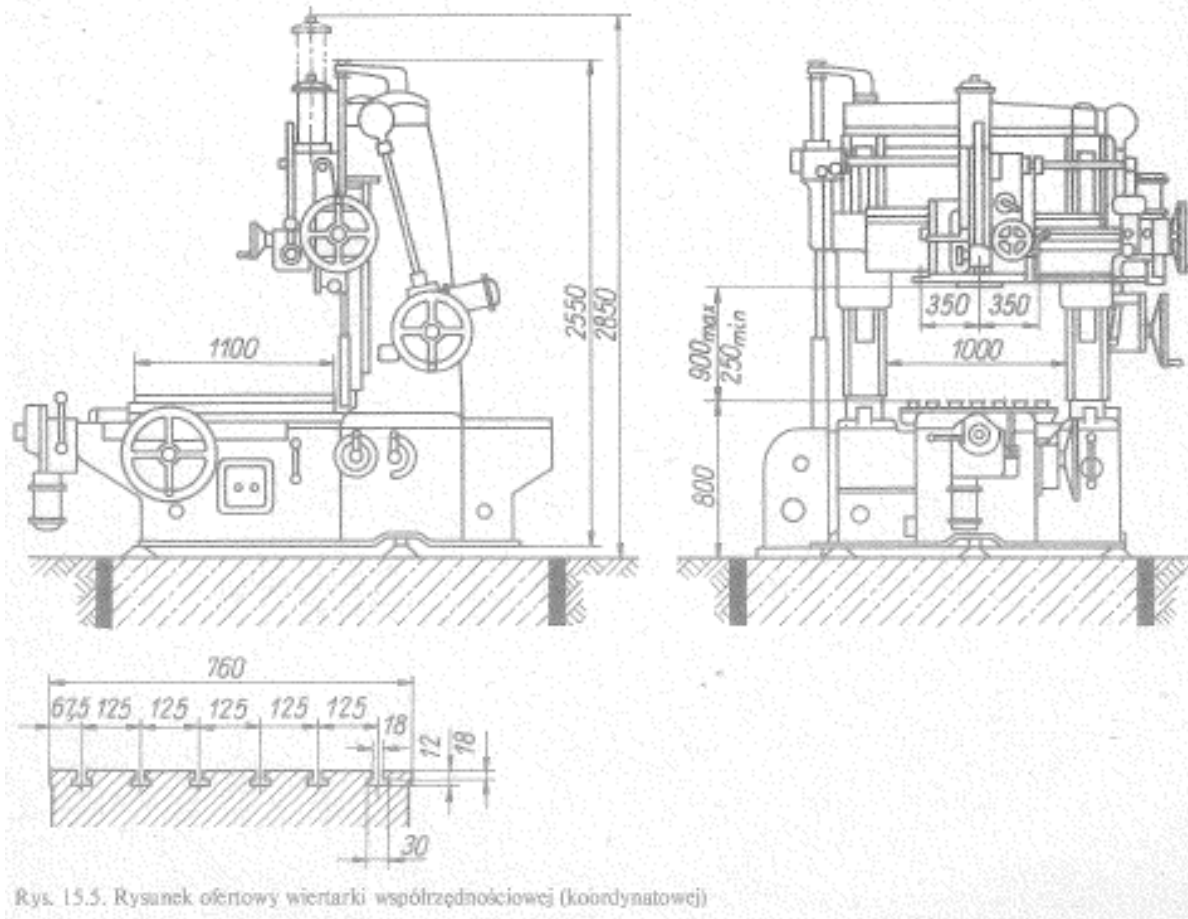
Dimensions are generally not given in the assembly drawings. We only provide dimensions characteristic for a given product and overall dimensions.



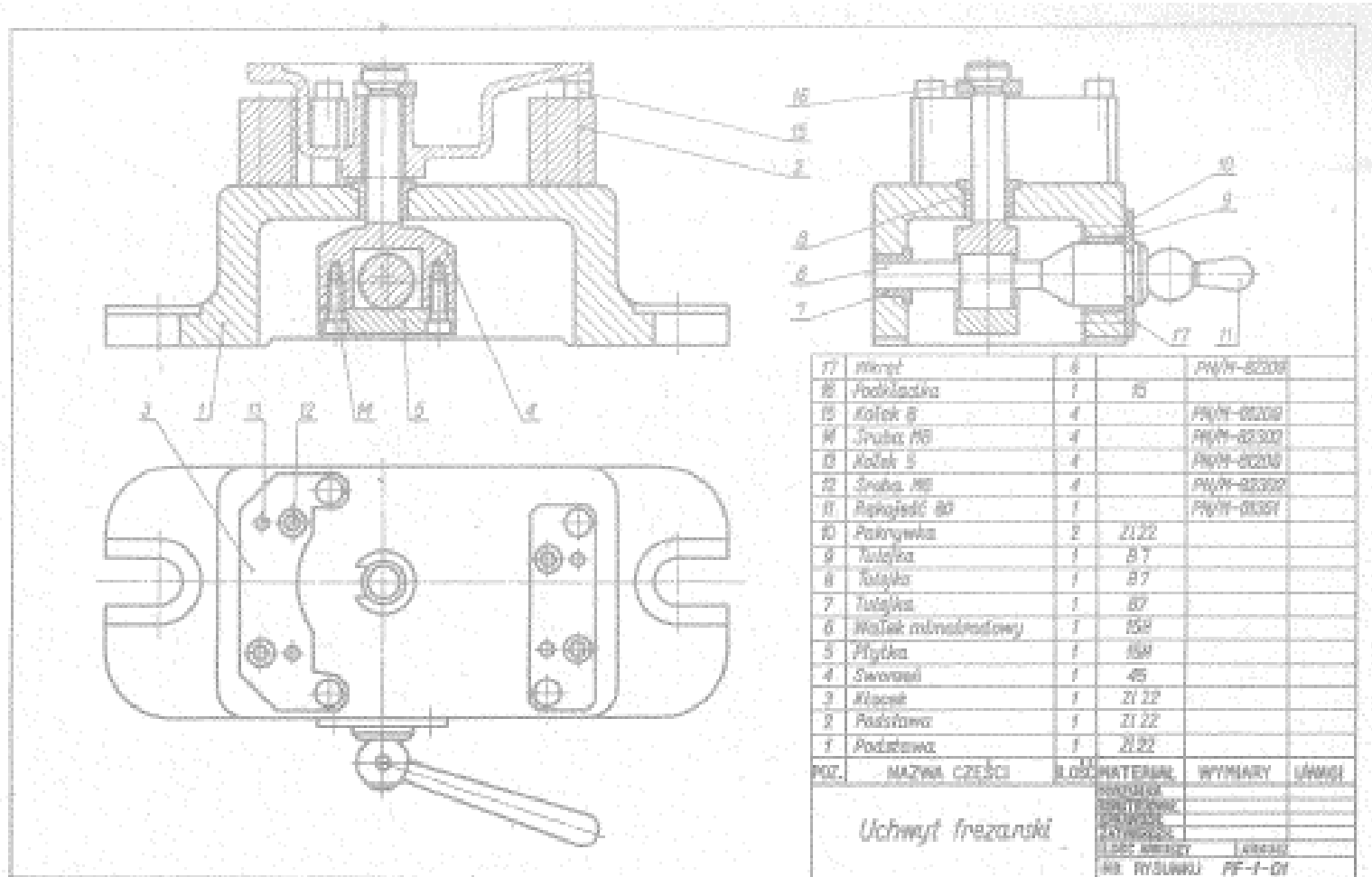
# Examples



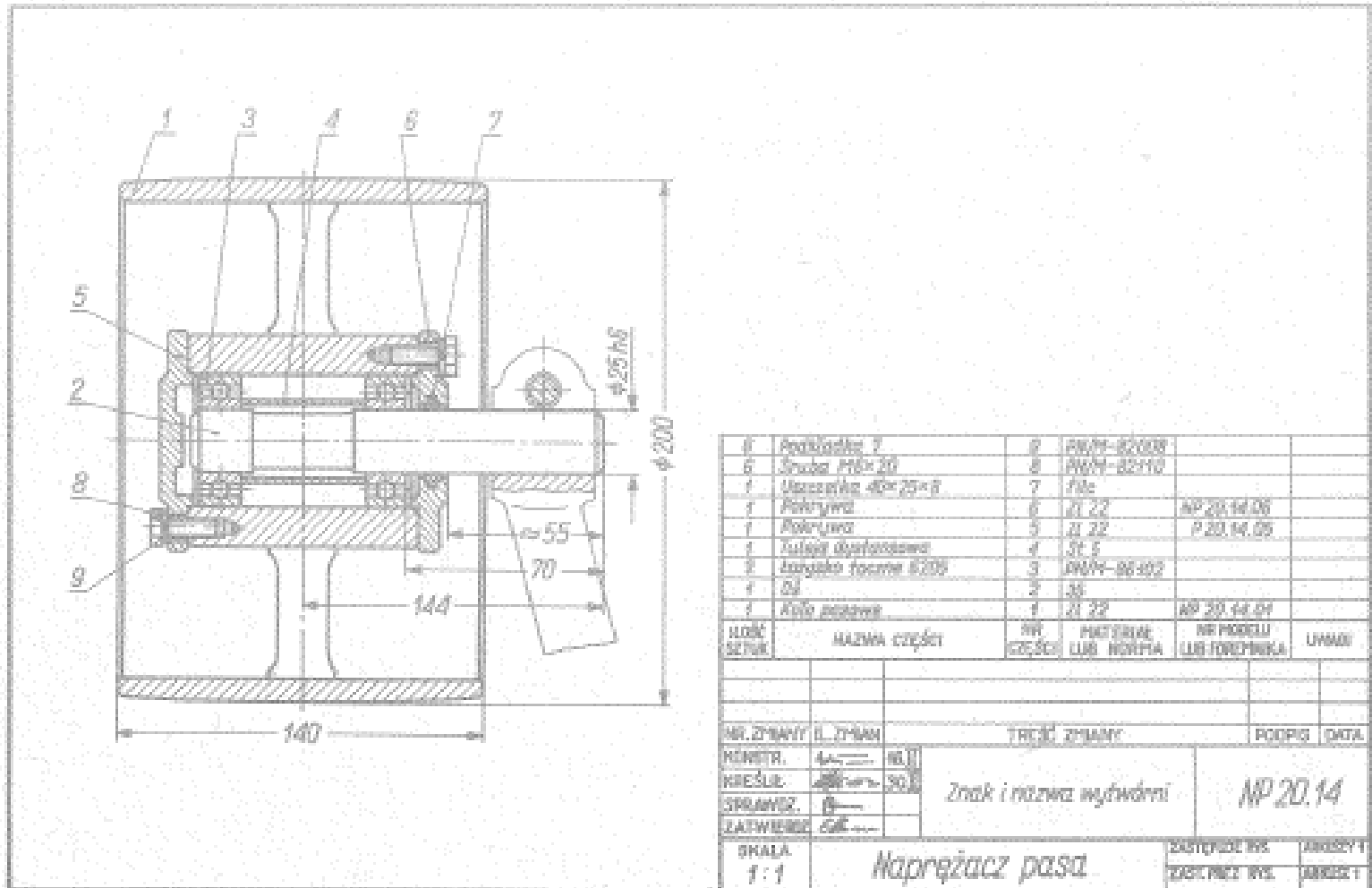
Rys. 15.6. Rysunek fundamentowy tokarki



Rys. 15.5. Rysunek ofertowy wiertarki współrzędnościowej (koordynatowej)



Rys. 15.4. Rysunek złożeniowy uchwytu frezarskiego



Rys. 15.2. Rysunek montażowy zespołu koła pasowego