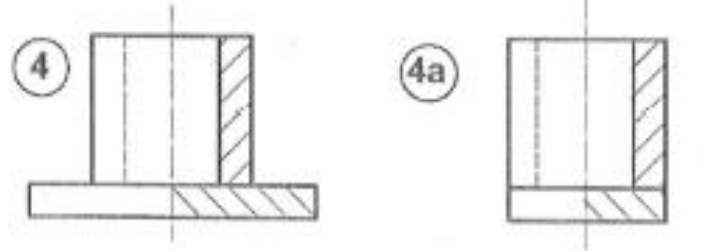
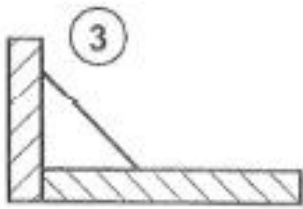
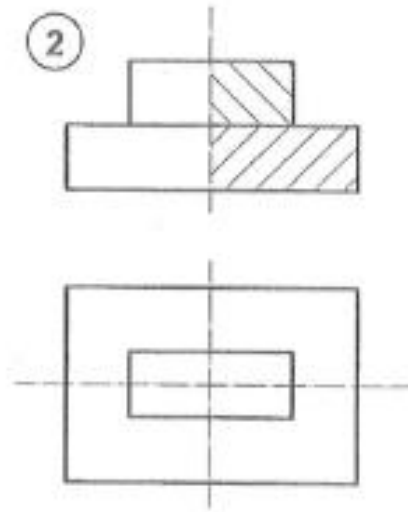
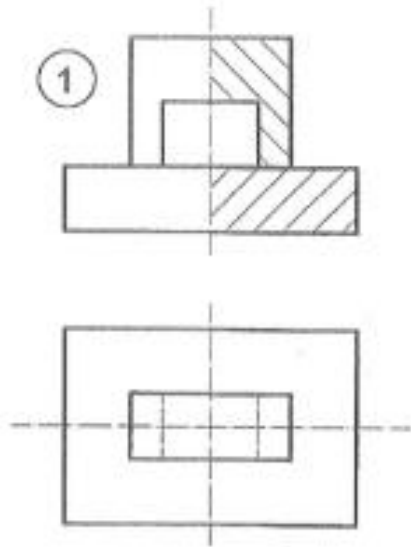
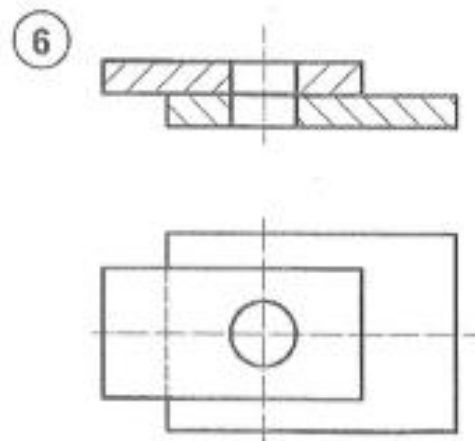
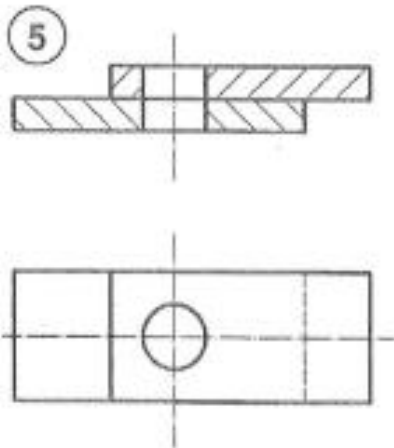
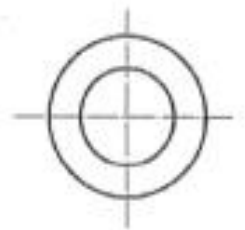
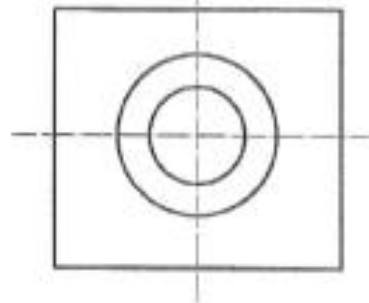
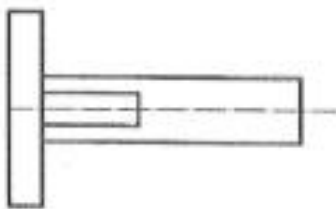
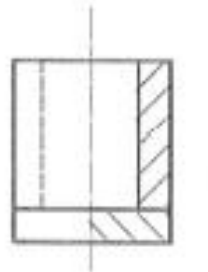
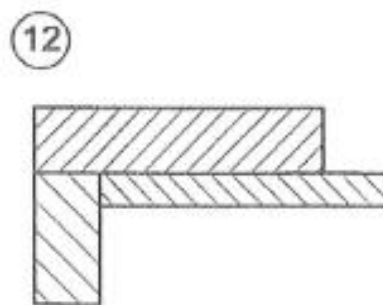
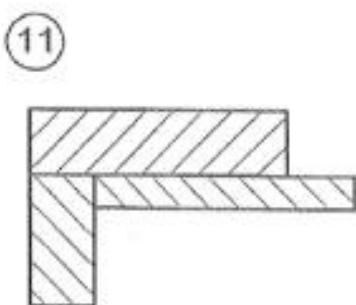
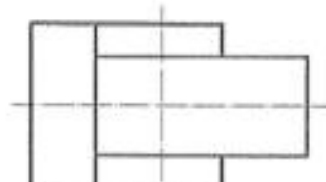
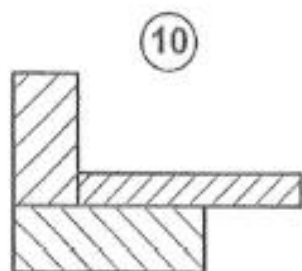
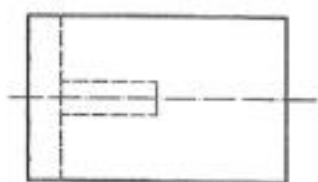
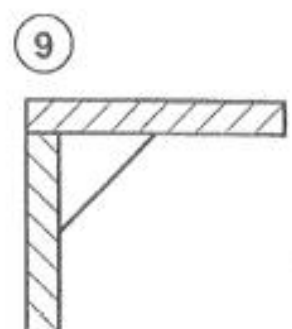
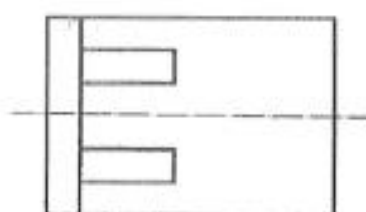
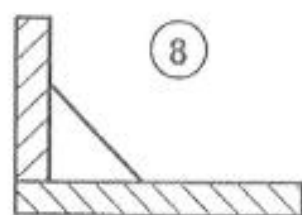
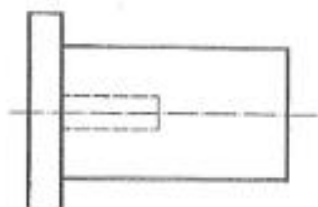
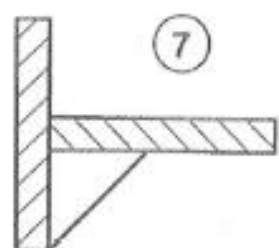


7.1. Draw a simplified welded connection in two views and dimension it.



④a





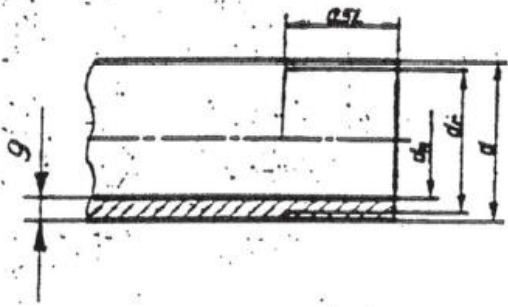
7.2. Draw a threaded pipe connection in a half-view, half-section.

Fittings, a normal connector, a tee or an elbow are screwed onto a 1m long pipe threaded on both sides. Mark the dimensions in the drawing: nominal pipe diameter, thread dimension and total connection length.

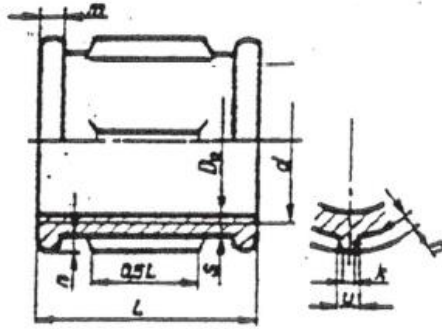
N o.	Nominal diameter, d_{nom} , inches	Thread diameter of pipe or connector , d , mm	Diameter of pipe core or connector, $d_f = D_o$, mm	d_f	d_w	a	c	h	L	l	s	m	n	k	u	R	g
				mm													
1	1/8"	9,7	8,6	10,2	6	29	10	4	19	7	2,2	3	1,5	1,5	3	12	2,3
2	1/4"	13,2	11,4	13,7	8	36	13	4	21	10	2,4	3	1,5	1,5	3	13	3,0
3	3/8"	16,7	15,0	17,2	10	38	21	5	25	10	2,6	3	2	2	3,5	15	3,5
4	1/2"	20,9	18,6	21,5	15	44	27	5	32	14	2,8	3,5	2	2	4	18	3,5
5	3/4"	26,4	24,1	27,0	20	47	30	5,5	36	16	3,0	4	2,5	2	4	20	4,0
6	1"	33,2	30,3	34,0	25	53	41	6	40	18	3,3	4	2,5	2,5	4,5	24	4,5
7	1 1/4"	41,9	39,0	42,5	32	57	50	6,5	46	20	3,6	4	3	2,5	5	30	5,6
8	1 1/2"	47,8	44,8	48,5	40	59	55	6,5	52	22	4,0	4	3	3	5	34	6,3
9	2"	59,6	56,6	60,5	50	68	70	7	60	24	4,5	5	3,5	3	6	41	10,0
10	2 1/2"	75,2	72,2	76,5	65	75	95	7	72	27	5,0	5	3,5	3,5	6,5	50	11,0
11	3"	87,9	84,9	90,0	80	83	115	7,5	82	30	5,5	6	4	4	7	60	12,5
12	4"	113,0	110,1	116,0	100	95	145	8	96	36	6,5	7	4	4	8	66	13,0
13	5"	138,4	135,5	142,4	125	110	160	8,5	115	40	7,5	8	4,5	4,5	9	75	14,0
14	6"	163,8	160,9	168,0	150	120	210	9	131	40	9,0	9	4,5	4,5	9	91	15,0

Connectors

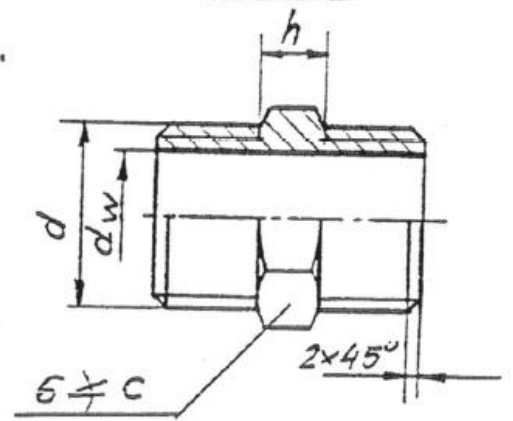
Pipe spigot



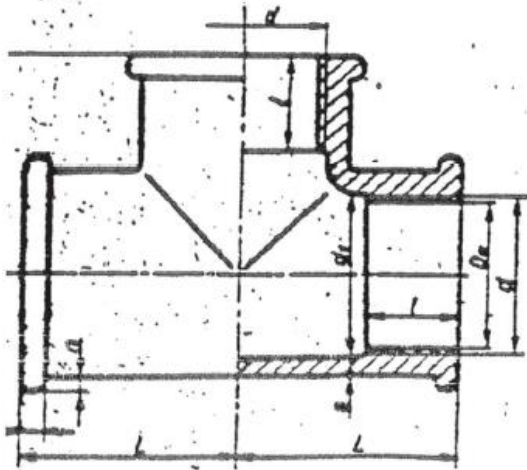
Normal connector



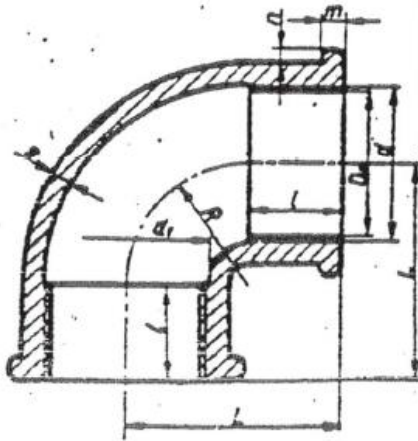
Screwy connector



Pipe tee

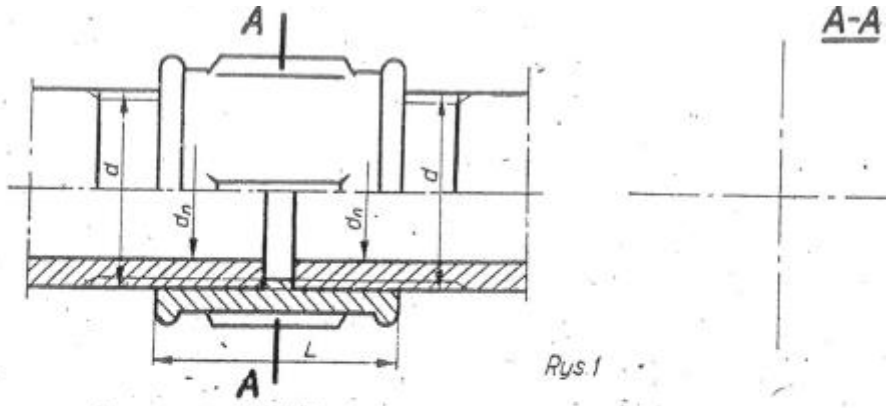


Elbow

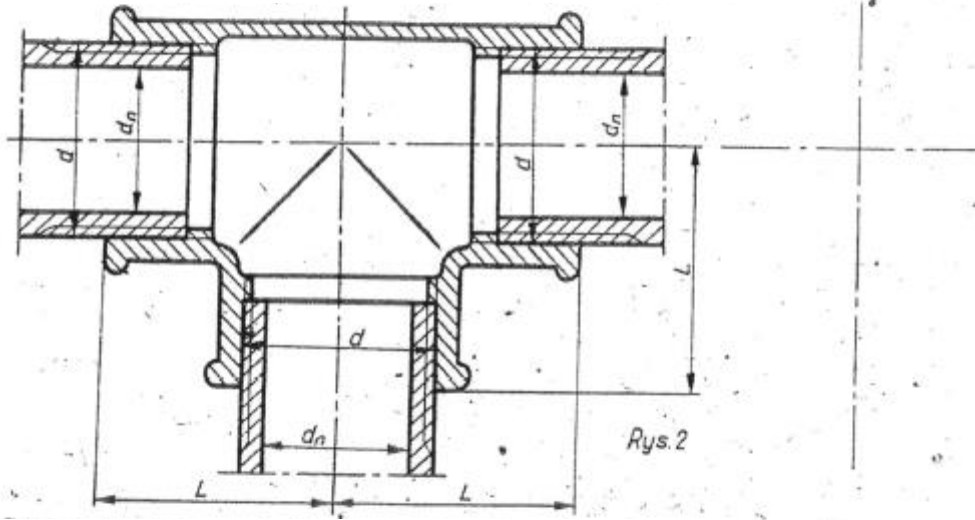


Threaded pipe connections.

Pipe connection with a normal connector



Pipe connection with a pipe tee



Pipe connection with an elbow

